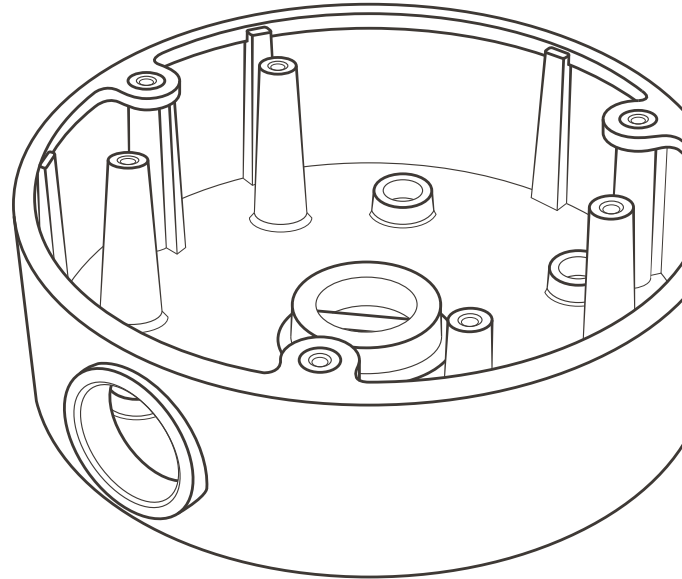


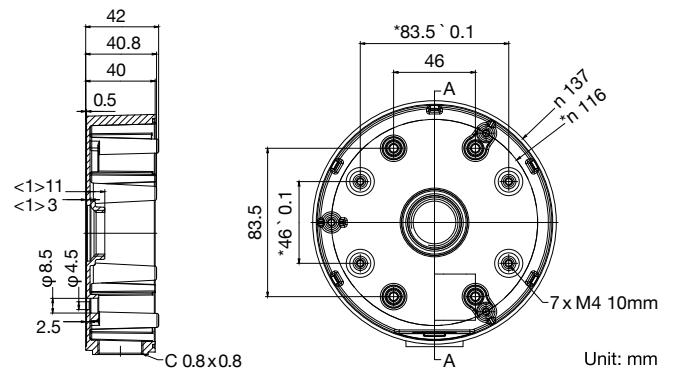
# Full Size Base

BCA-DCB-1 Conduit Base for Full-Size Dome Camera



## Features

- Aluminum alloy material with surface spray treatment
- Waterproof design



## Specifications

General	
Appearance	White
Range of Application	Wire intake box for dome camera
Material	Aluminum alloy
Dimensions	Φ137mm x 42mm (5.39" x 1.65")
Weight	280g (9.88 oz)