

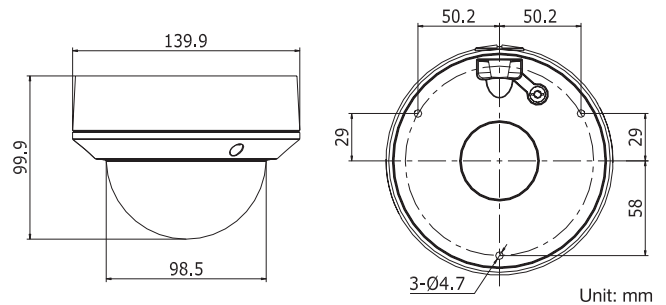
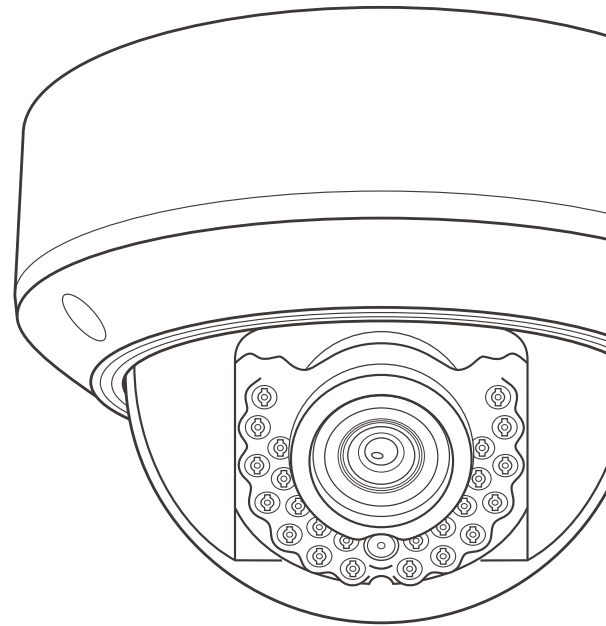
Dome

BCE-1400D3-32G 2MP WDR Vari-focal Network Camera



Features

- 1/2.8" Progressive Scan CMOS
- Up to 1080p Resolution
- 120dB WDR
- 3D DNR
- Motorized lens 2.8-12mm
- Approx. 30m IR Range
- VIAAS Secure Cloud Storage, Navigation and Administration
- Built-in Micro SD/SDHC/SDXC card slot, up to 128 GB
- Audio input
- PoE (802.3af Class3) or 12V DC±25%
- H.264 Video Compression
- IP67
- IK10



Specifications

| Camera | |
|-------------------|---|
| Image Sensor | 1/2.8" Progressive Scan CMOS |
| Min. Illumination | 0.01Lux @ (F1.2,AGC ON), 0.014 Lux @ (F1.4,AGC ON), 0 Lux with IR |
| Shutter Speed | 1/3s to 1/100,000s |
| Slow Shutter | Supported |
| Lens | 2.8 - 12 mm @ F1.4, motorized lens, angle of view: 106°~35° |
| Angle Adjustment | Pan: 0° - 355°, Tilt: 0° - 75°, Rotation: 0° - 355° |
| Lens Mount | Φ14 |
| Day & Night | IR cut filter with auto switch |
| WDR | 120dB |

| Compression | |
|-------------------|-----------------|
| Video Compression | H.264 |
| H.264 Type | Main Profile |
| Video Bit Rate | Up to 2Mbps |
| Audio | G.711 at 64kbps |

| Image | |
|------------------|--|
| Max Resolution | 1920 × 1080 |
| Max Frame Rate | 60Hz: <i>Main stream</i> : 30fps (1920×1080, 1280×720) <i>Sub stream</i> : 30fps (352×240, 640×360) |
| Enhancement | BLC/3D DNR/ROI |
| Settings | Rotate Mode, Saturation, Brightness, Contrast, Sharpness adjustable by client software or web browser |
| Day/Night Switch | Auto |

| Network | |
|-------------------|--|
| Storage | VIAAS Secure Cloud, Built-in Micro SD/SDHC/SDXC card slot, up to 128 GB (32GB is included) |
| Detection | Motion detection, Dynamic analysis |
| Alarm Trigger | Tampering alarm, Network disconnect, IP address conflict, Storage exception |
| Protocols | VIAAS Cloud |
| General Functions | One-key reset, Anti-Flicker, heartbeat, mirror, password protection, privacy mask, watermark, IP address filtering |
| Standard | ONVIF (PROFILE S, PROFILE G), PSIA, CGI, ISAPI |

| General | |
|----------------------|--|
| Interface | 1 RJ45 10M/100M Ethernet interface |
| Operating Conditions | -30°C – 60°C (-22°F – 140°F), Humidity 95% or less (non-condensing) |
| Power Supply | PoE (802.3af Class3) or 12V DC±25%; Max. 5.5 W (Max. 7.5W with IR illumination on) |
| IR Range | Approx. 30 meters |
| Material | Base: Metal; Front cover: Plastic |
| Ingress Protection | IP67 - Weatherproof, IK10 - Vandal Resistant |
| Impact Protection | IK10 |
| Dimensions | Φ 140 × 99.9mm (Φ 5.51" × 3.94") |
| Weight | 1000g (2.2lbs) |